



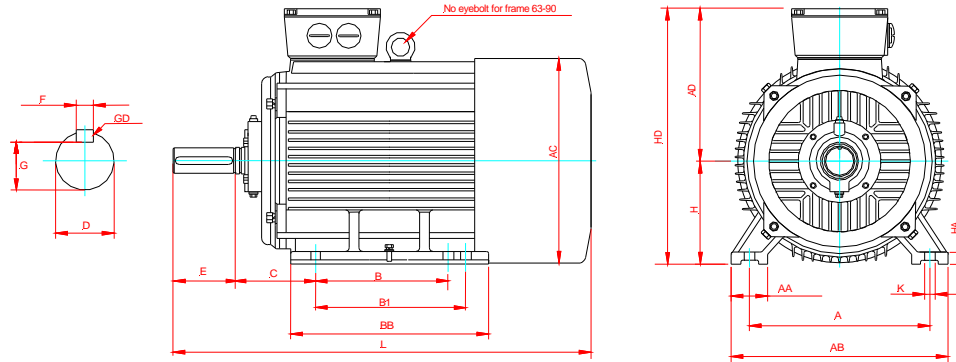
ELECTRIC MOTORS & DRIVES

TRADING AS INDUSQUIP MARKETING



HIGH EFFICIENCY MOTORS

Foot Mounting B3 63-355 Frame



Dimensions (mm)																				
Frame	Pole	A	AA	AB	AC	AD	B	BB	B1	C	D	E	F	G	GD	H	HA	HD	K	L
63	2.4	100	30	135	130	117	80	115	N/A	40	11	23	4	8.5	4	63	8	180	7	230
71	2.4.6	112	32	150	145	124	90	125	N/A	45	14	30	5	11	5	71	8	195	7	255
80	2.4.6.8	125	37	165	165	140	100	135	N/A	50	19	40	6	15.5	6	80	10	220	10	295
90S	2.4.6.8	140	37	180	195	160	100	140	N/A	56	24	50	8	20	7	90	12	250	10	315
90L	2.4.6.8	140	37	180	195	160	125	165	N/A	56	24	50	8	20	7	90	12	250	10	340
100L	2.4.6.8	160	42	205	215	170	140	180	N/A	63	28	60	8	24	7	100	14	270	12	385
112M	2.4.6.8	190	52	230	240	188	140	185	N/A	70	28	60	8	24	7	112	15	300	12	400
132S	2.4.6.8	216	63	270	275	213	140	190	N/A	89	38	80	10	33	8	132	18	345	12	470
132M	2.4.6.8	216	63	270	275	213	178	230	N/A	89	38	80	10	33	8	132	18	345	12	510
160M	2.4.6.8	254	73	320	330	260	210	275	N/A	108	42	110	12	37	8	160	20	420	15	615
160L	2.4.6.8	254	73	320	330	260	254	320	N/A	108	42	110	12	37	8	160	20	420	15	670
180M	2.4.6.8	279	73	355	380	275	241	315	N/A	121	48	110	14	42.5	9	180	22	455	15	700
180L	2.4.6.8	279	73	355	380	275	279	355	N/A	121	48	110	14	42.5	9	180	22	455	15	740
200L	2.4.6.8	318	73	395	400	305	305	375	N/A	133	55	110	16	49	10	200	25	505	19	770
225S	2	356	83	435	470	335	286	375	N/A	149	55	110	16	49	10	225	28	560	19	816
225M	4.6.8	356	83	470	470	335	N/A	400	311	149	60	140	18	53	11	225	28	560	19	845
250S/M	2	406	88	490	510	365	311	450	349	168	60	140	18	53	11	250	30	615	24	910
250M	4.6.8	406	88	490	510	365	N/A	450	349	168	70	140	18	53	11	250	30	615	24	910
280S/M	2	457	93	550	547	400	368	540	419	190	65	140	18	58	11	280	35	680	24	985
280S/M	4.6.8	457	93	550	547	400	368	540	419	190	80	170	22	71	14	280	35	680	24	1035
315S/M	2	508	120	635	645	530	406	685	457	216	65	140	18	58	11	315	45	845	28	1185
315S/M	4.6.8.10	508	120	635	645	530	406	685	457	216	85	170	22	76	14	315	45	845	28	1215
315M/L	2	508	120	635	645	530	457	685	508	216	70	140	20	62.5	12	315	45	845	28	1295
315M/L	4.6.8.10	508	120	635	645	530	457	685	508	216	90	170	25	81	14	315	45	845	28	1325
355M/L	2	610	120	730	710	655	560	750	630	254	90	170	25	81	14	355	52	1010	28	1500
355M/L	4.6.8.10	610	120	730	710	655	560	750	630	254	100	210	28	90	16	355	52	1010	28	1530



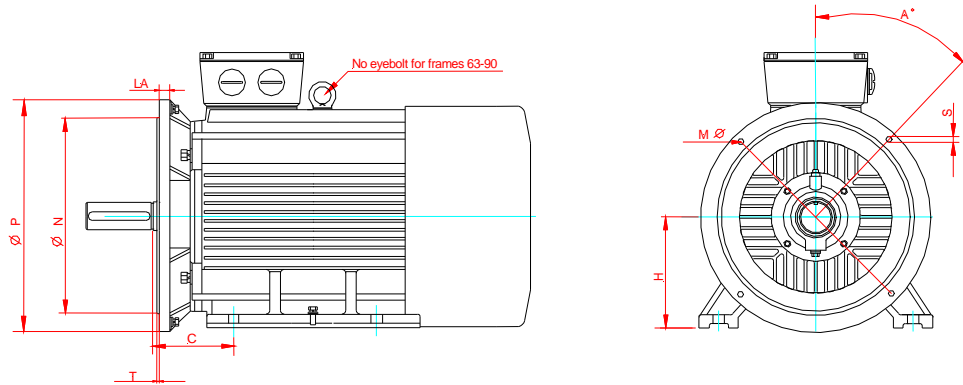
ELECTRIC MOTORS & DRIVES

TRADING AS INDUSQUIP MARKETING



HIGH EFFICIENCY MOTORS

Foot Mounting B35 Flange



Dimensions (mm)										
Frame	C	H	LA	M Dia.	N Dia.	P Dia.	T	S	A Deg.	No. Of Holes
63	40	63	6	115	95	140	3.5	10	45	4
71	45	71	9	130	110	160	3.5	10	45	4
80	50	80	10	165	130	200	3.5	12	45	4
90S	56	90	10	165	130	200	3.5	12	45	4
90L	56	90	10	165	130	200	3.5	12	45	4
100L	63	100	11	215	180	250	4	15	45	4
112M	70	112	11	215	180	250	4	15	45	4
132S	89	132	12	265	230	300	4	15	45	4
132M	89	132	12	265	230	300	4	15	45	4
160M	108	160	18	300	250	350	5	19	45	4
160L	108	160	18	300	250	350	5	19	45	4
180M	121	180	18	300	250	350	5	19	45	4
180L	121	180	18	300	250	350	5	19	45	4
200L	133	200	18	350	300	400	5	19	45	4
225S	149	225	18	400	350	450	5	19	22.3	8
225M	149	225	18	400	350	450	5	19	22.3	8
250M	168	250	18	500	450	550	5	19	22.3	8
280S	190	280	18	500	450	550	5	19	22.3	8
280M	190	280	18	500	450	550	5	19	22.3	8
315S	216	315	18	600	550	660	6	24	22.3	8
315M	216	315	22	600	550	660	6	24	22.3	8
315L1	216	315	22	600	550	660	6	24	22.3	8
315L2	216	315	22	600	550	660	6	24	22.3	8
355M1/2/3	254	355	22	740	680	800	6	24	22.3	8
355L1/2	254	355	22	740	680	800	6	24	22.3	8



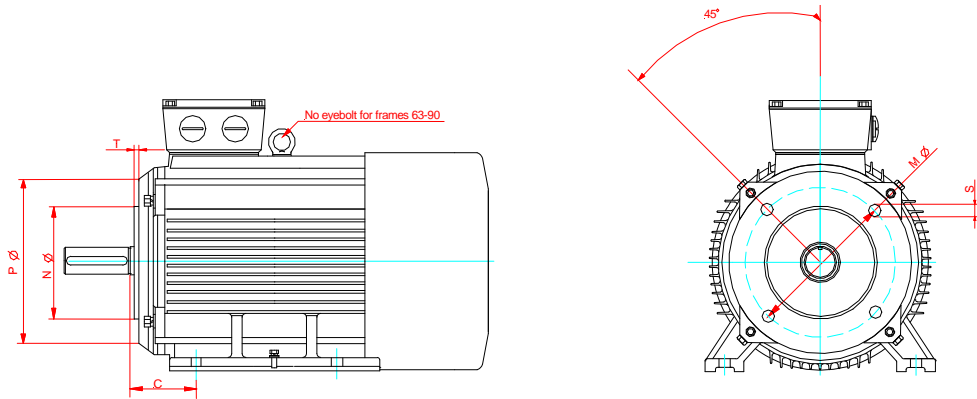
ELECTRIC MOTORS & DRIVES

TRADING AS INDUSQUIP MARKETING



HIGH EFFICIENCY MOTORS

Foot Mounting B34 Flange



Dimensions (mm)							
Frame	C	M Dia.	N Dia.	P Dia.	S	T	No. Of Holes
63	40	75	60	90	M5	2.5	4
71	45	85	70	105	M6	2.5	4
80	50	100	80	120	M6	3	4
90S	56	115	95	140	M8	3	4
90L	56	115	95	140	M8	3.5	4
100L	63	130	110	160	M8	3.5	4
112M	70	130	110	160	M8	3.5	4
132S	89	165	130	200	M8	3.5	4
132M	89	165	130	200	M10	3.5	4

